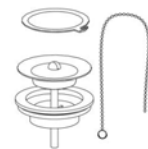
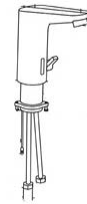
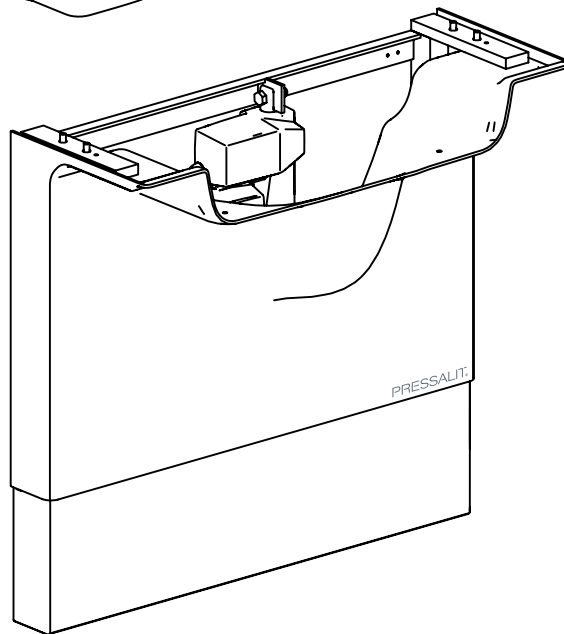
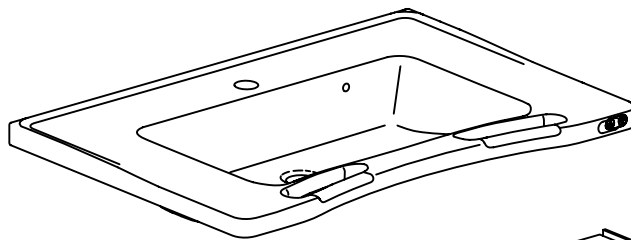


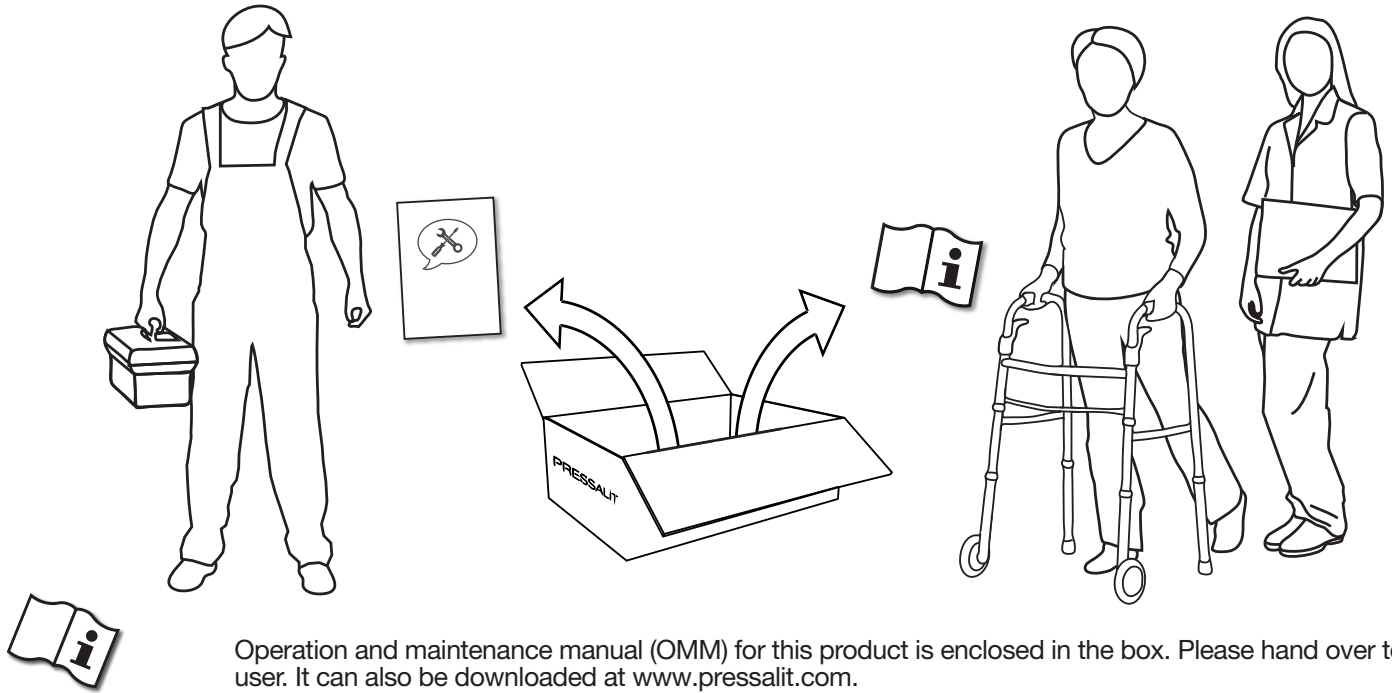
Pressalit Matrix
All-in-One
Adjustable
Sink



With Ergonomic Long-Handled Faucet: SKU:R4828000/R2122000/RT622/T4679/LA1319/V8605
With Touchless Sensor Faucet: SKU:R4828000/R2122000/RT632/T4679/LA1319/V8605

Subject to change without further notice.





Operation and maintenance manual (OMM) for this product is enclosed in the box. Please hand over to the user. It can also be downloaded at www.pressalit.com.

EN Mounting Instruction

Please read and carefully follow these instructions. Find the product number on the product label and ensure that these assembly instructions match your product.



WARNING: Failure to comply with these instructions may result in accidents involving serious personal injury or the product being damaged.

WARNING: If you suspect that any individual parts may be damaged, contact your Pressalit dealer or service provider. Do not remove, attempt to repair or install parts yourself, unless directed to do so by Pressalit or its agents.

WARNING: No modification of this equipment is allowed without express authorization from Pressalit.

WARNING: These instructions must be followed, and the product must be installed professionally by a qualified person; e.g. a licensed plumber, in order to avoid personal injury or property damage while using the product.

WARNING: Pressalit cannot be held liable for injury to persons or damage to property caused by faulty mounting.

Installation location

This product is designed for indoor use in a wet environment, such as a bathroom or washroom. It may only be used in an environment corresponding to the system's IP rating. Ensure that the installation location environment also complies with the following operating parameters of the product:

Environmental factor	Operating range
Temperature	5°C to 40°C / 1°F to 104°F
Relative humidity	20% to 90% @ 30°C / 86°F (condensation free)
Atmospheric pressure	700 to 1060 hPa



WARNING: Medical electrical equipment needs special precautions regarding electromagnetic compatibility (EMC) and needs to be installed and put into service in accordance with the EMC information (provided in your product's operating instructions). It is unlikely that the user will encounter problems with the product because of inadequate electromagnetic compatibility.


However, electromagnetic immunity is always relative and standards anticipate environments of usage. Portable and mobile RF communications equipment can affect medical electrical equipment. When the product is connected to the local mains power supply, we recommend the use of electromagnetic shielding and similar preventative measures to avoid conducted emissions.

When choosing an installation location, ensure that there will be adequate space for movement of—and access to—the product.

Assembly and installation

Mount the product against a wall in accordance with the illustrations in this assembly instruction. Connect the product components—hand control unit, motor, control box and power cable—to each other as shown. Ensure that the connectors are pressed in as far as possible into their corresponding sockets.

Connection to the mains supply

There is a range of potential configurations to connect the product to the mains power supply. See pages with . The product is supplied with a plug attached, but this may need to be replaced with an IP-rated plug and socket combination appropriate to the location of the socket relative to moisture, or alternatively the product may be hardwired to a mains supply.

WARNING: Ensure that the circuit on the mains supply side is isolated from power while connecting the product to the mains supply.



WARNING: The product must be connected to the mains supply and a protective earth connection by a qualified electrician in accordance with IEC 60601-1 and IEC 60364-7, as well as any locally applicable standards.

WARNING: Ensure that the voltage of the local mains supply to be connected is compliant with that stated on the label on the product.



WARNING: To ensure protection by electrical separation, the product must be supplied by a mains supply circuit that does not supply power to any other equipment, unless it incorporates a residual current protective device (RCD) with a rated residual operating current not exceeding 30 mA. The circuit must be grounded using a protective earth connection and able to be isolated from mains supply by means of a switch installed in a wall or cabinet.

WARNING: The integrity of the external protective earthing system must be verified.

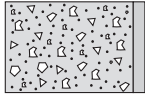
WARNING: The installer must verify that the protective earth terminal of the control box is connected to the external protective earthing system.

WARNING: Ensure that location of the mains isolation switch or coupling is easy to access and use.

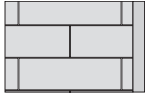
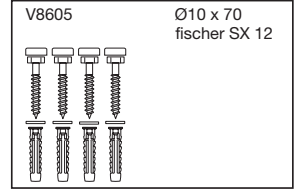
WARNING: External cables need to be fixed in such a way that users cannot stumble and injure themselves.

Troubleshooting

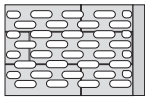
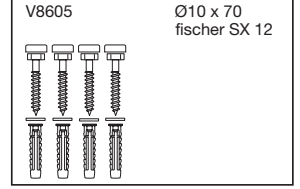
If the product does not function, check that all cables are securely connected, and that the electrical circuit is powered. A more detailed troubleshooting guide can be found in the product's operation and maintenance manual. Contact your Pressalit agent, if assistance is needed when installing the product.



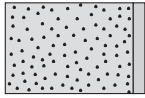
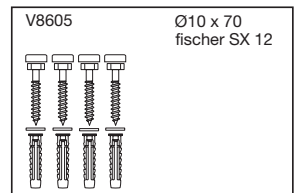
Concrete >B25



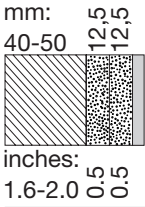
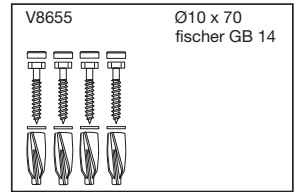
Solid Brick >= Mz12



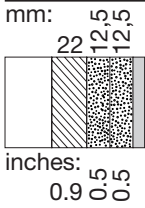
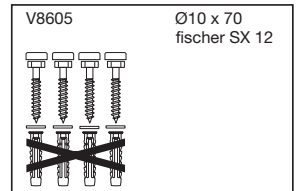
Solid Sand Lime Brick >= Hlz12



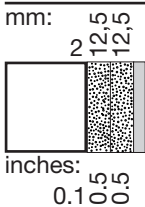
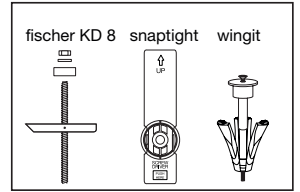
Aerated Concrete P4



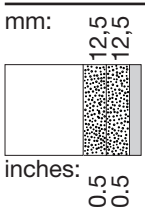
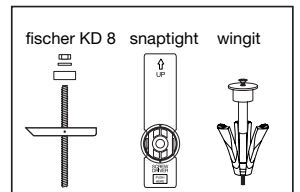
Drywall water-resistant, re-enforced with wood



Drywall water-resistant, re-enforced with plywood



Drywall water-resistant, re-enforced with steel plates



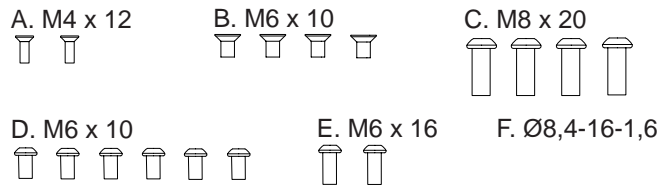
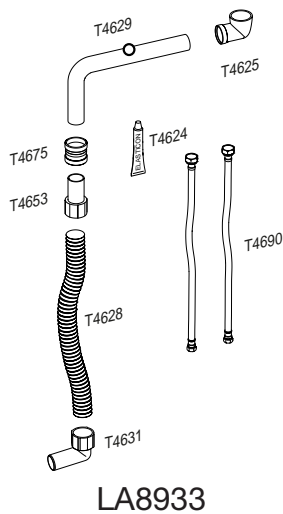
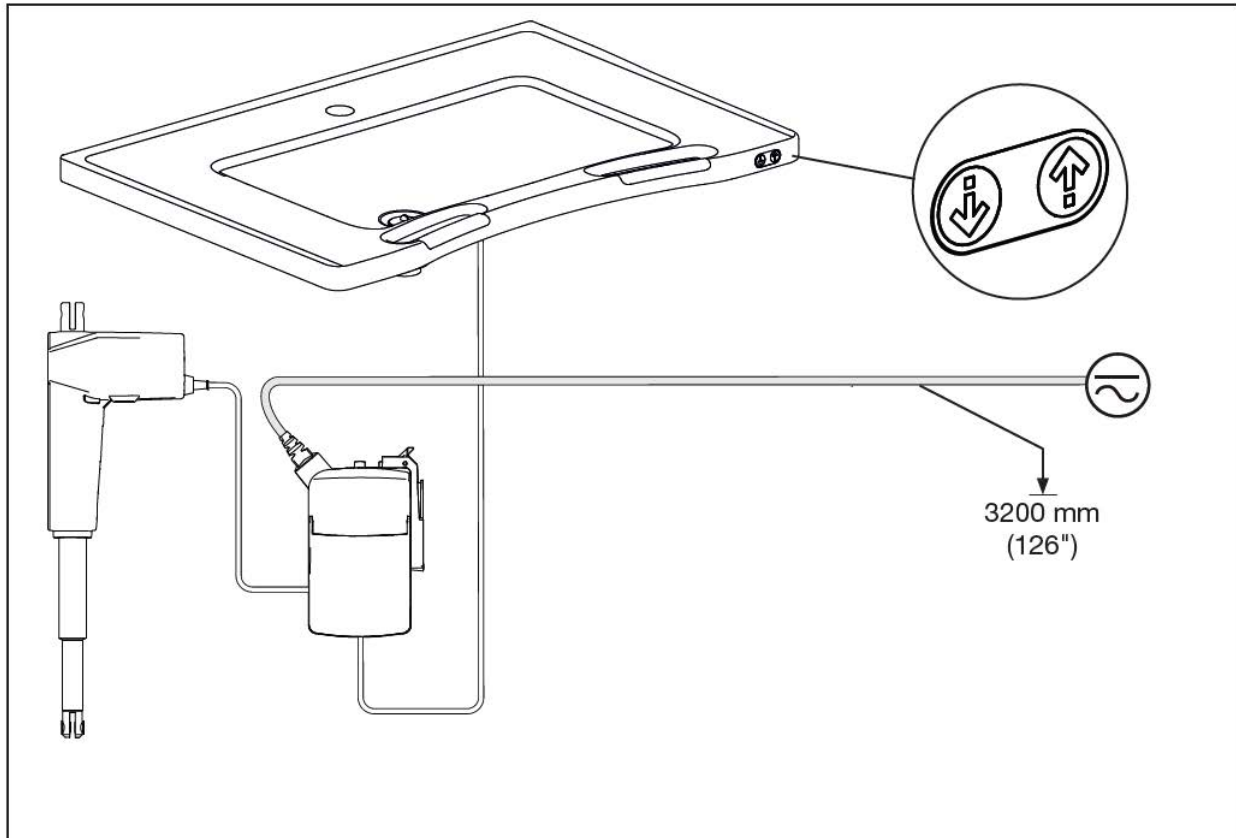
Drywall water-resistant

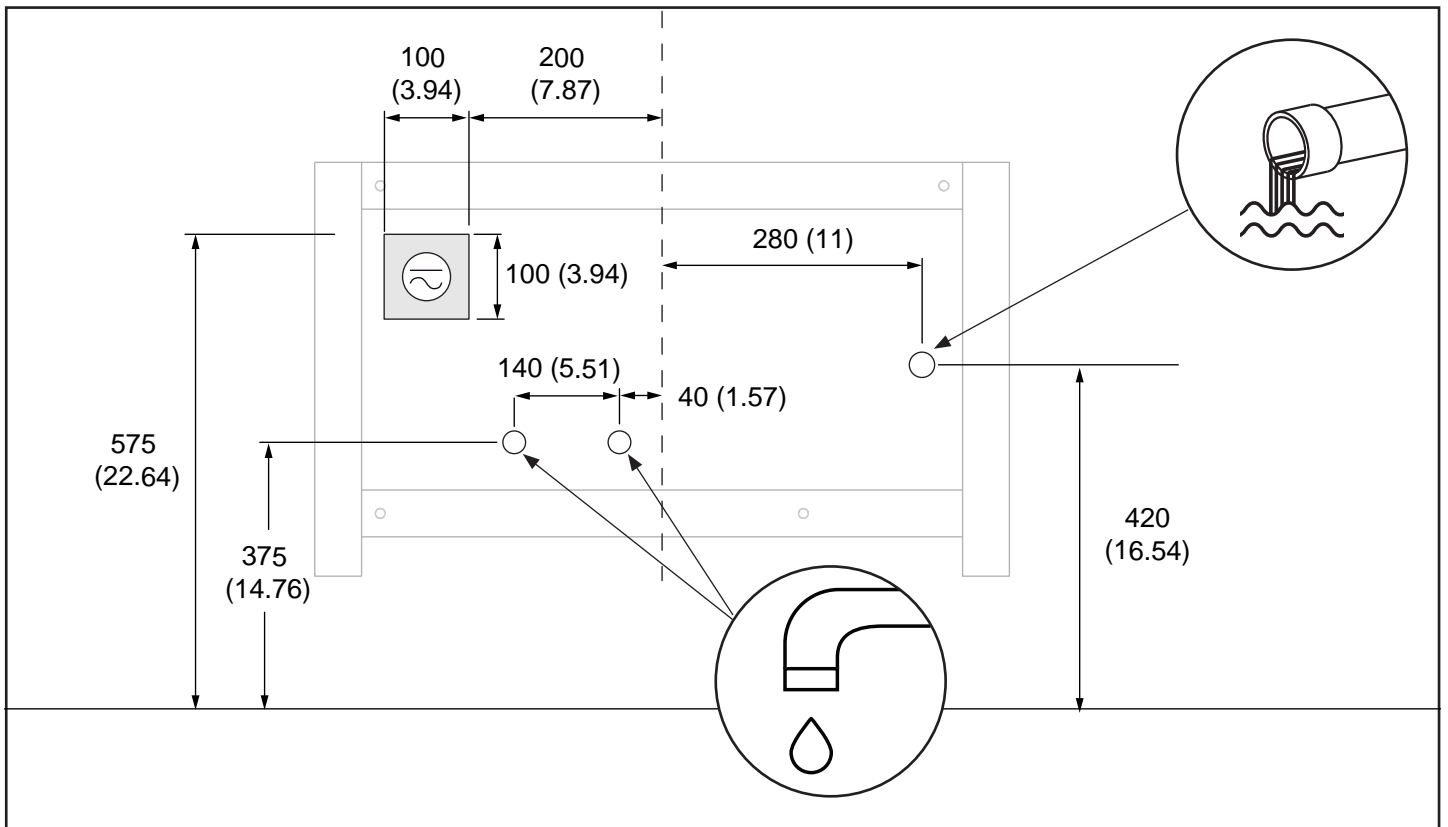
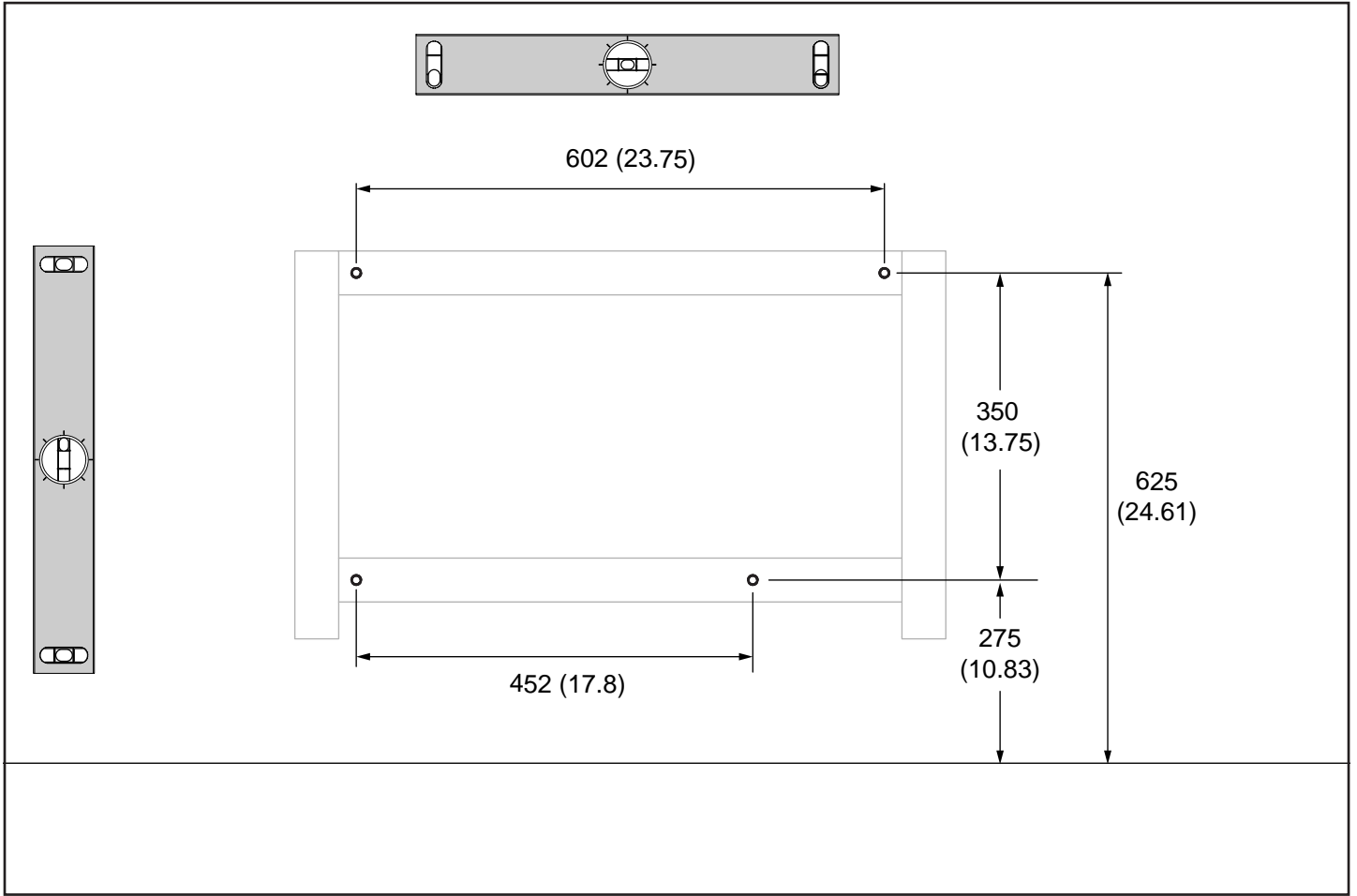


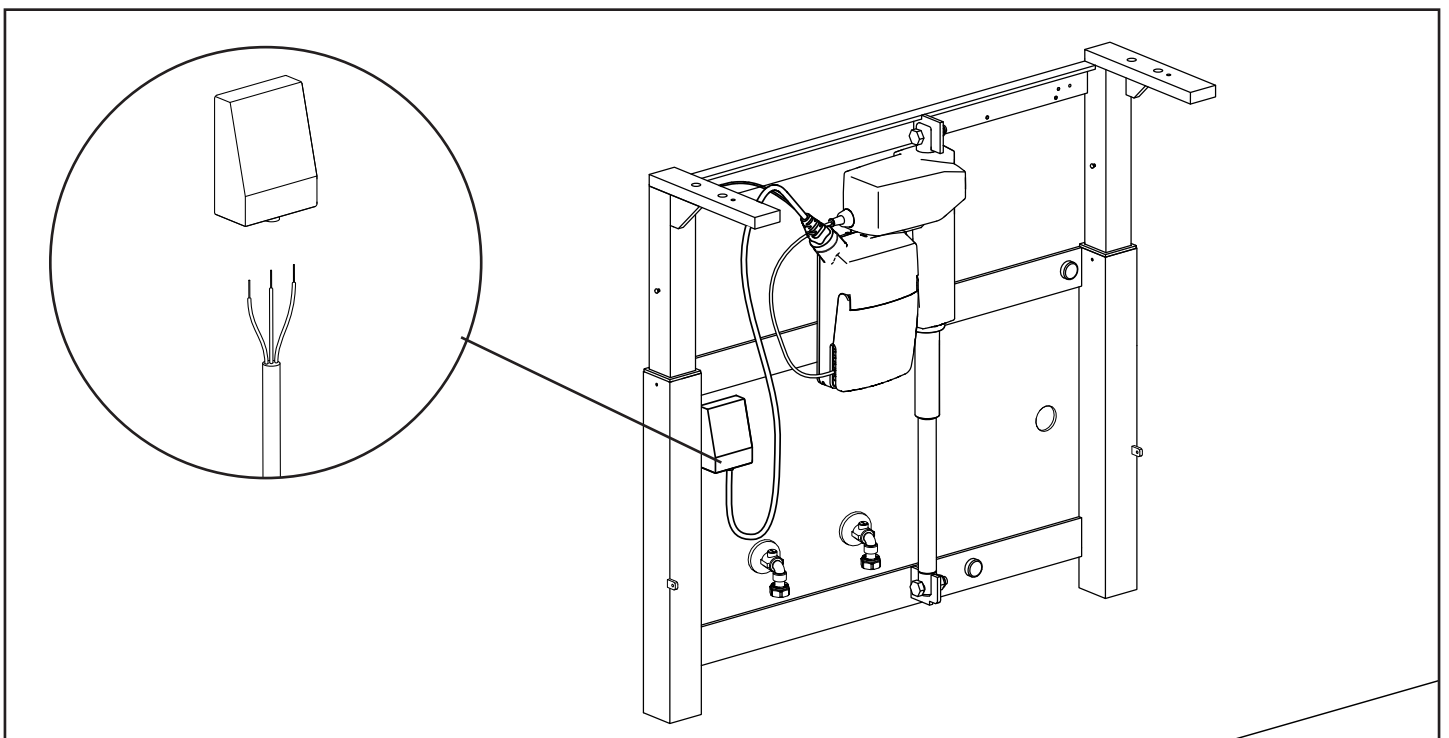
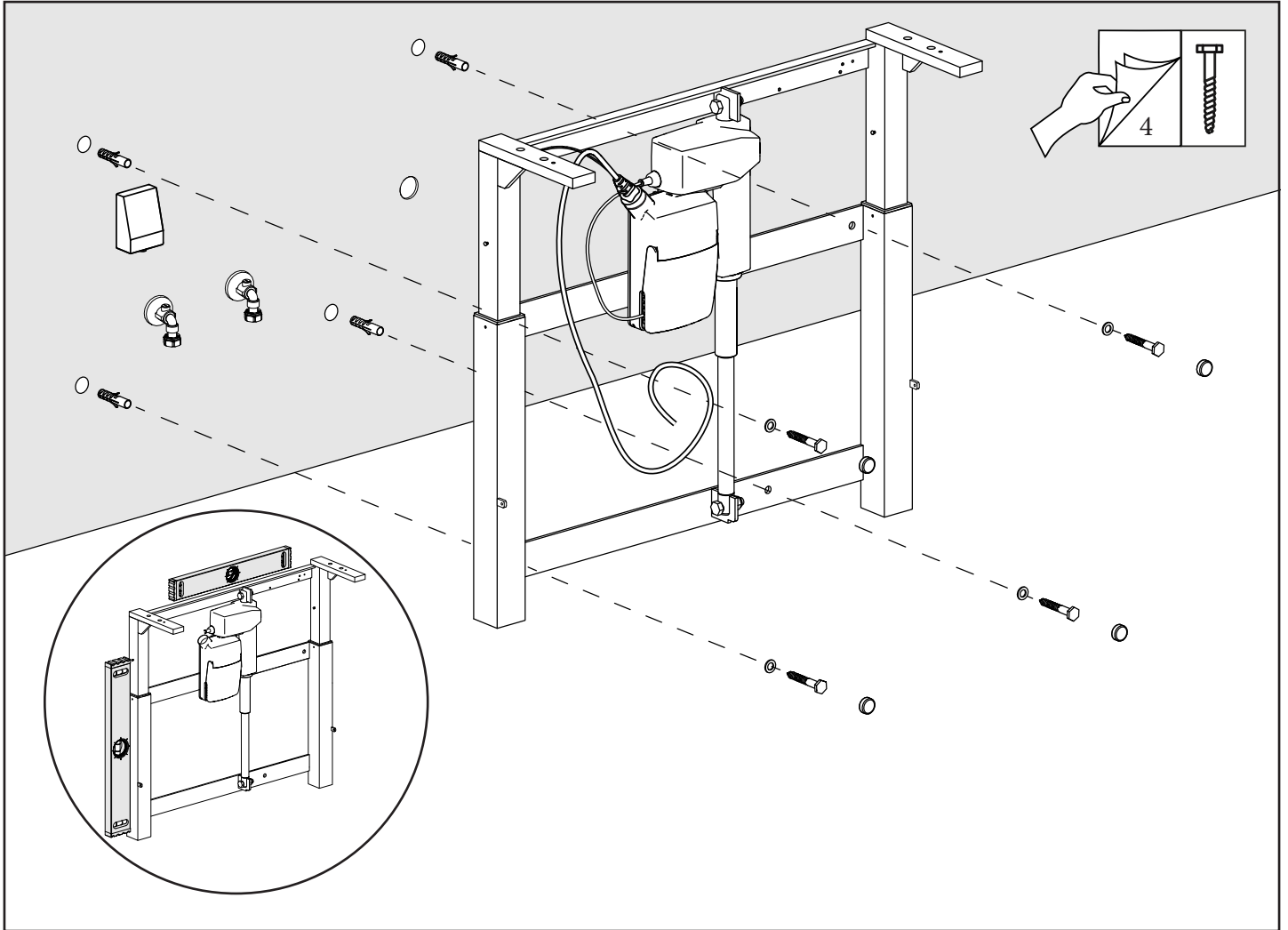
Concrete anchors provided at no additional charge.

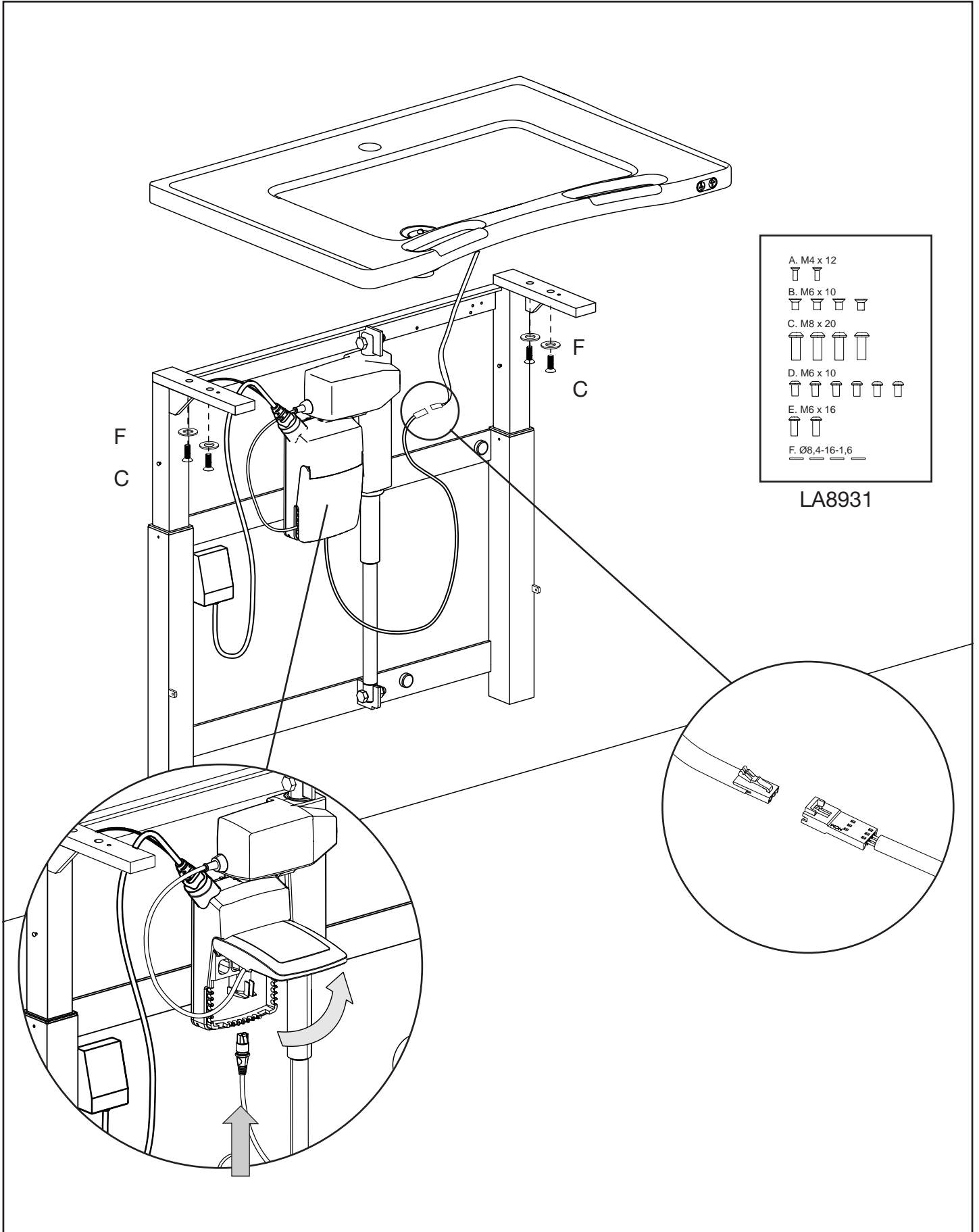
EN Ingress protection rating

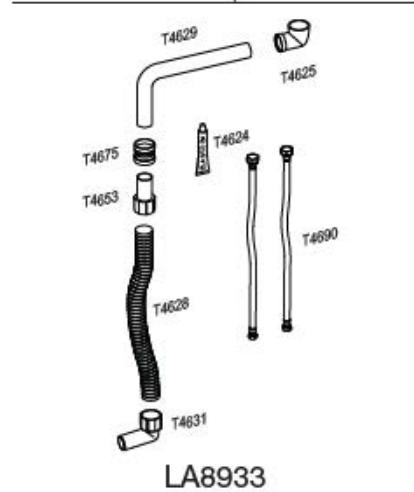
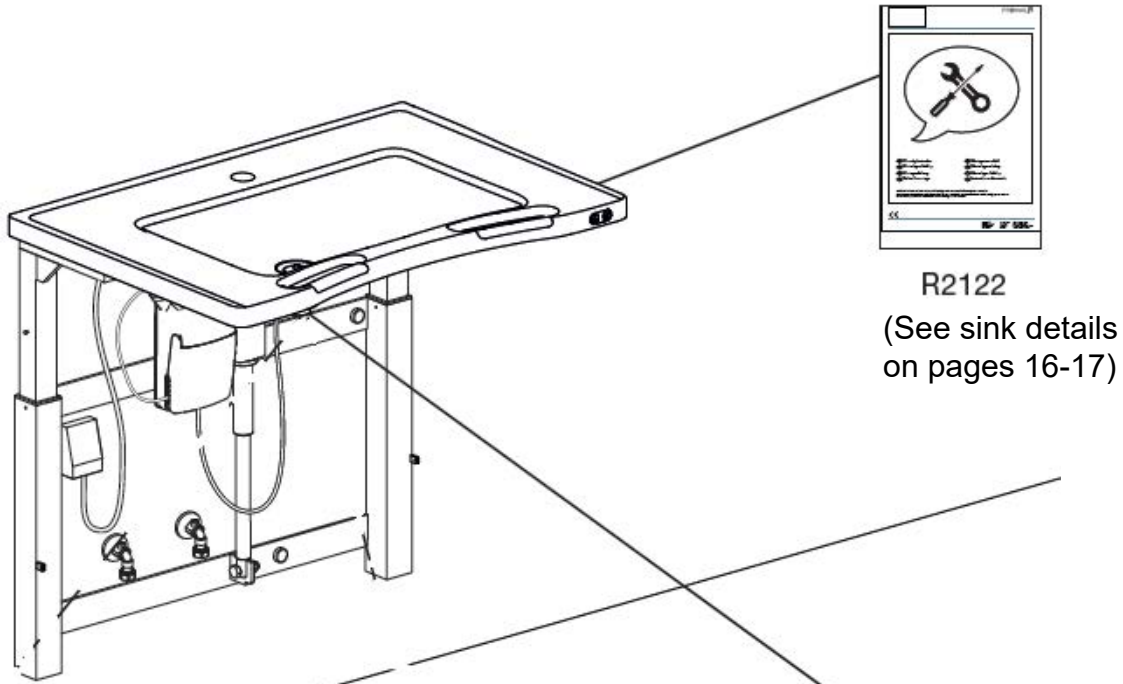
IPX6 Water projected in powerful jets—from a nozzle size up to .5 inches—against the product from any direction shall have no harmful effects.



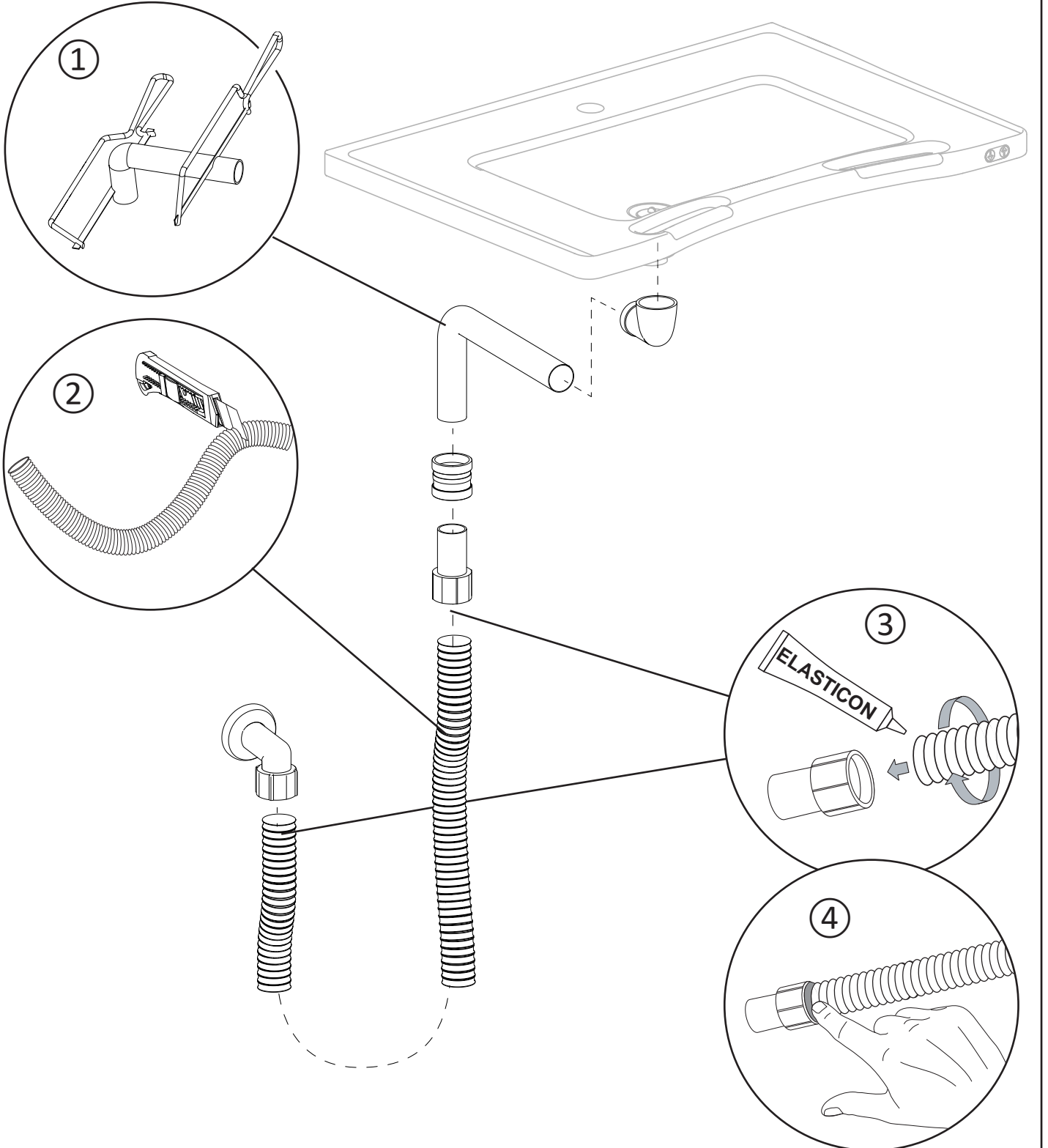






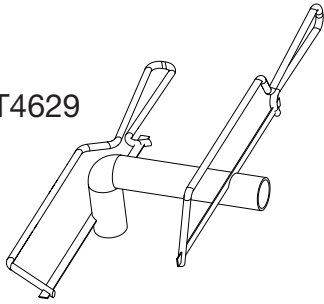


LA8933
Flexible Feed



①

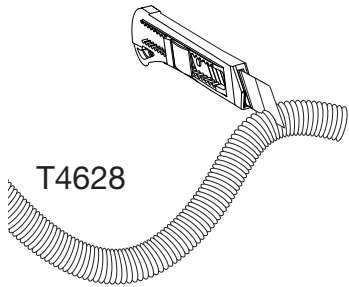
T4629



Shorten T4629 if necessary.

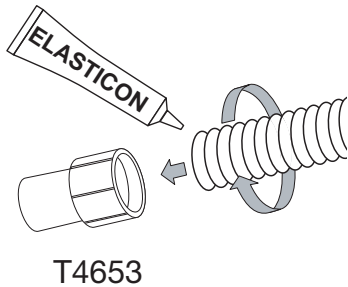
②

T4628

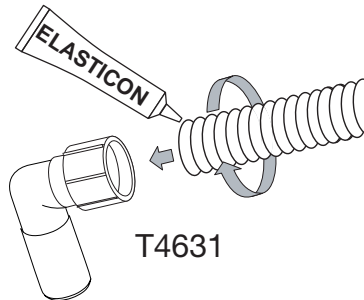


Shorten T4628 if necessary.

③



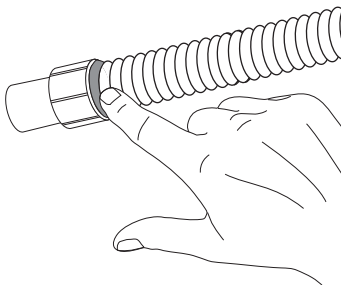
T4653



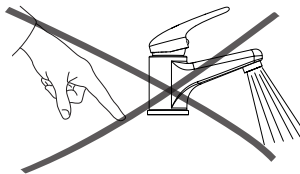
T4631

Apply the sealing compound T4624 to the ends of the clean flexible hose, and screw on T4653 and T4631.

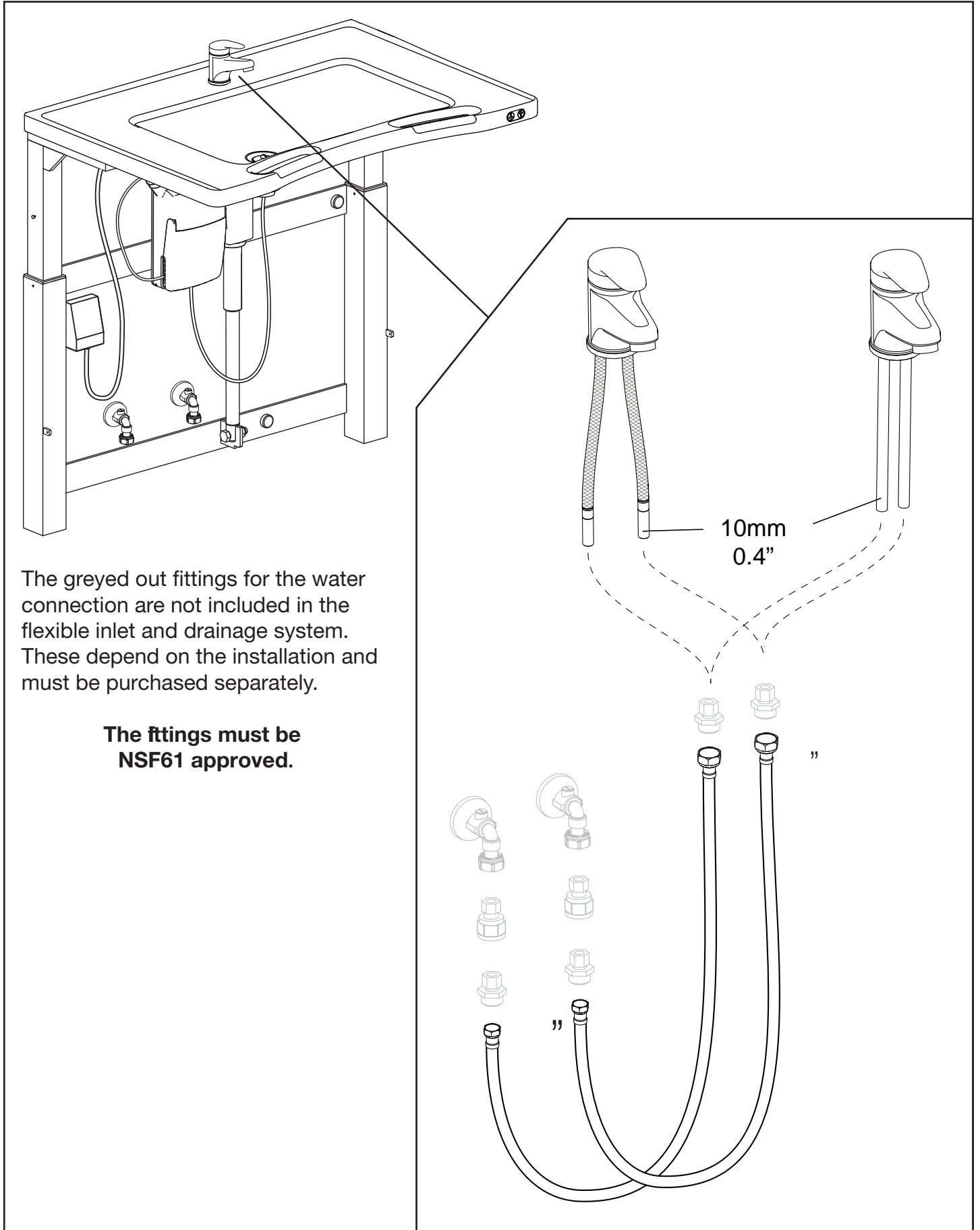
④

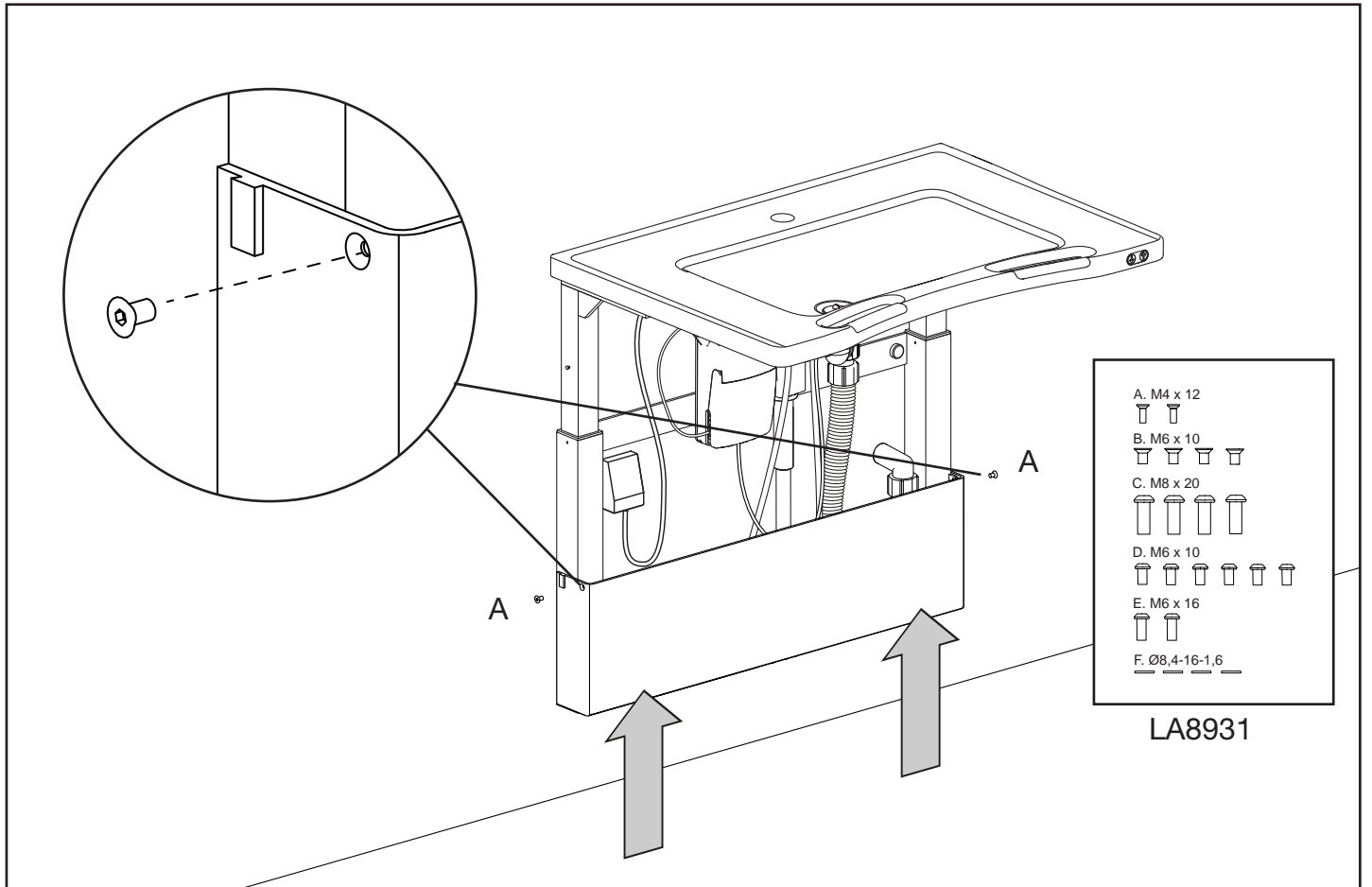
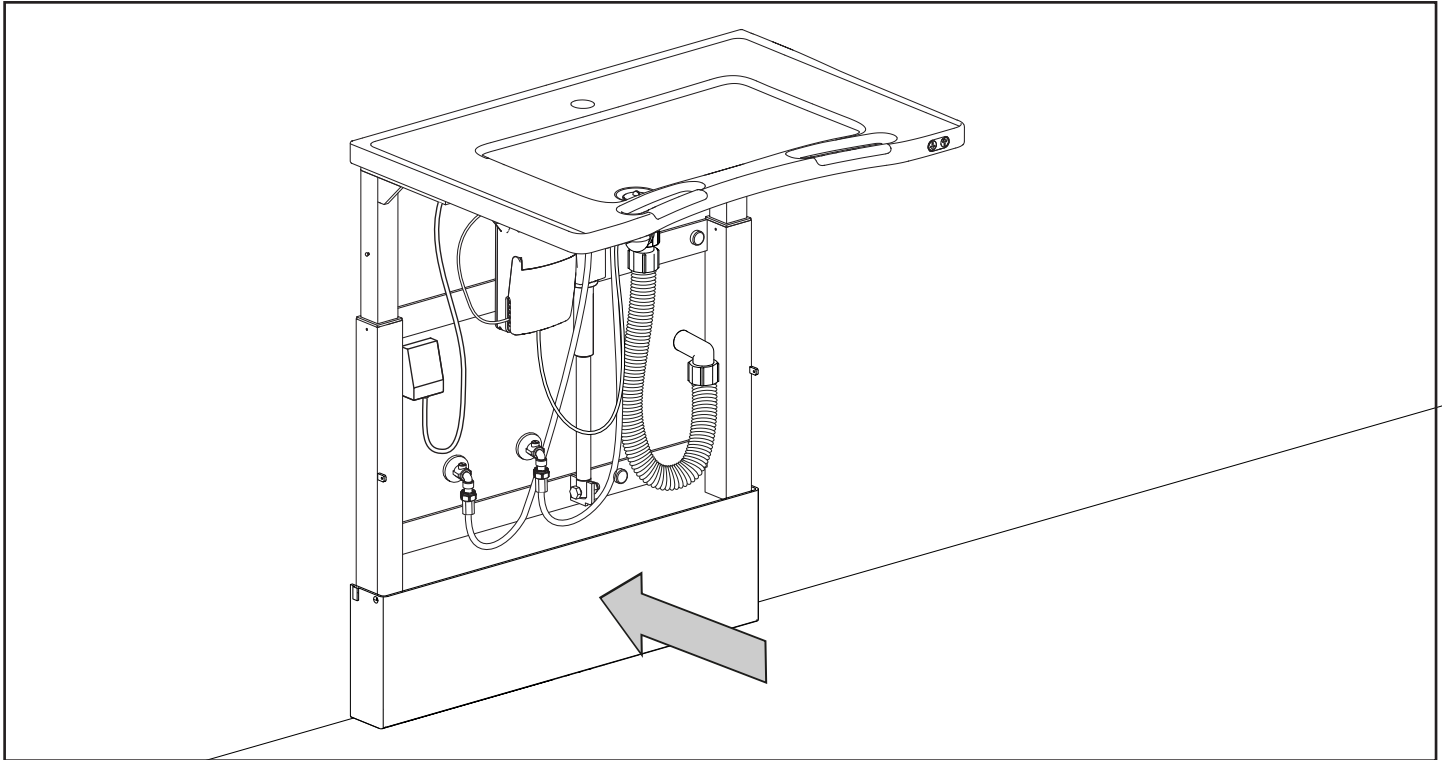


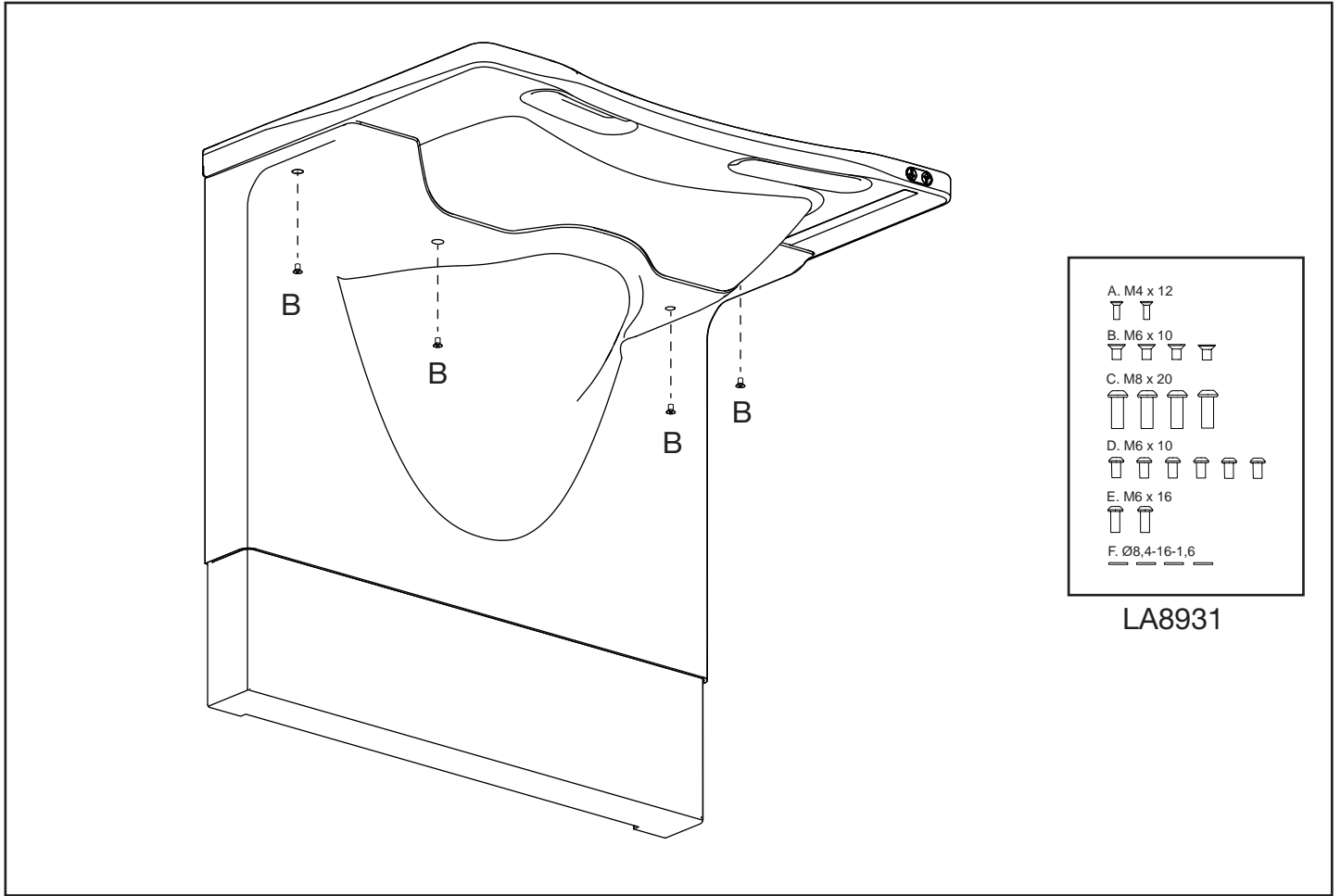
24H



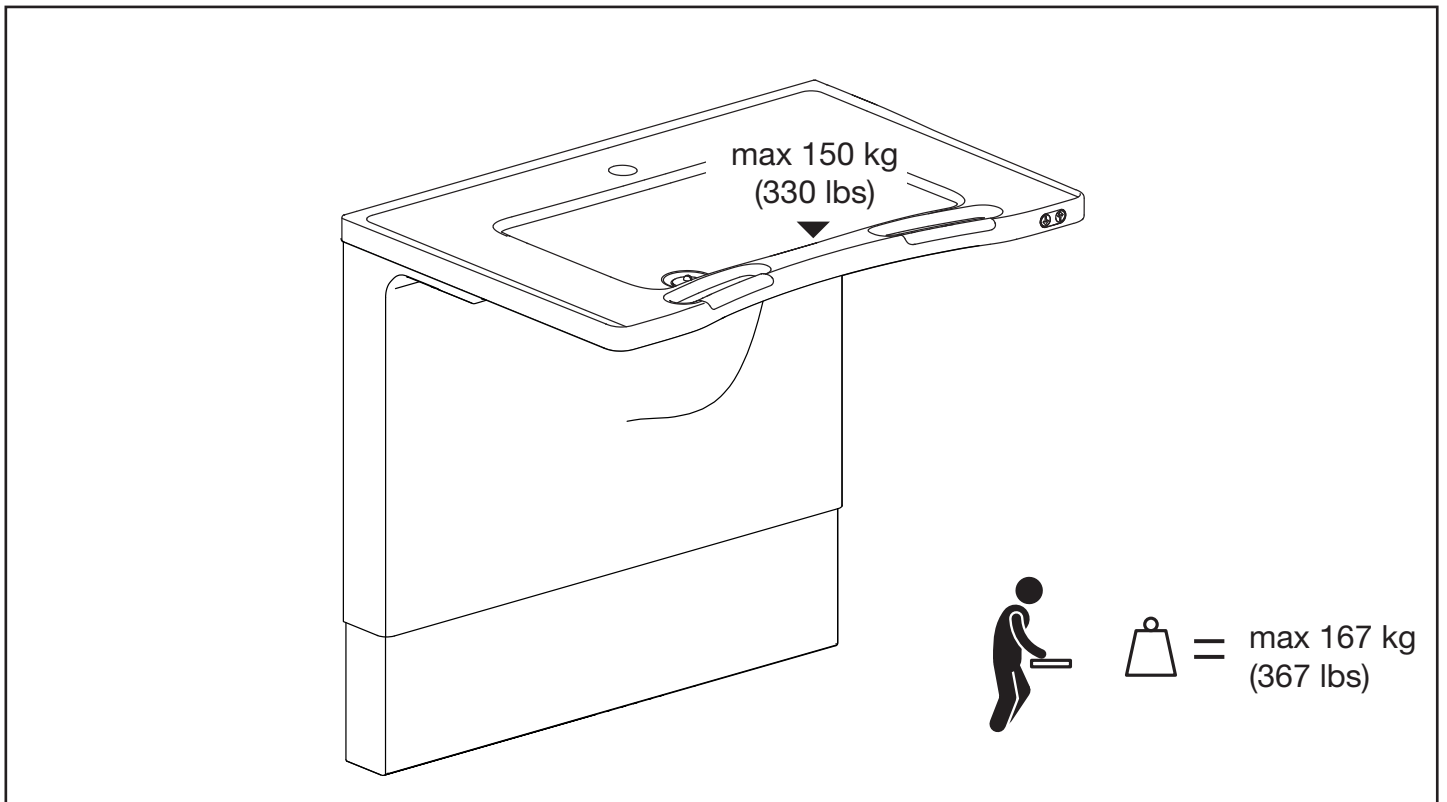
Spread out the compound within 15 minutes, and allow it to harden for 24 hour



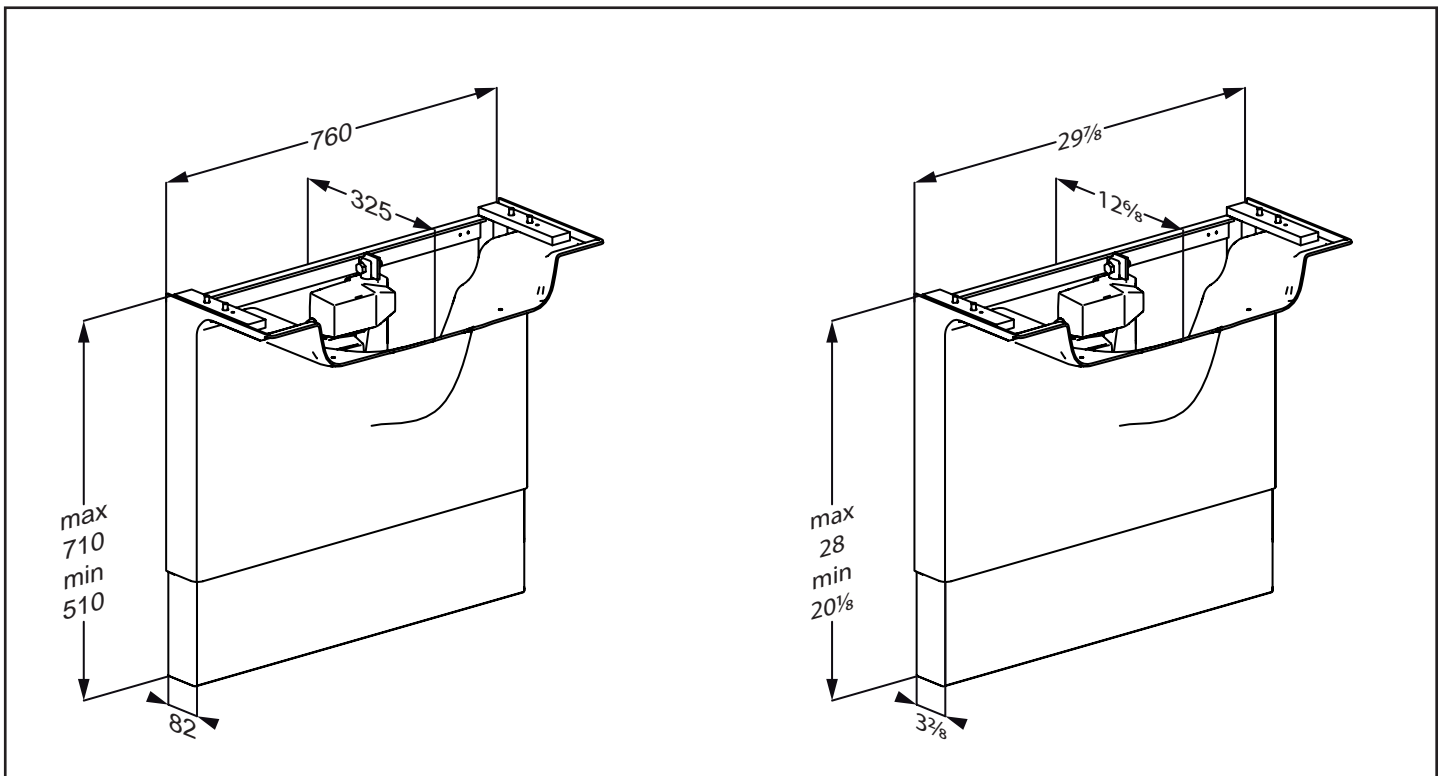
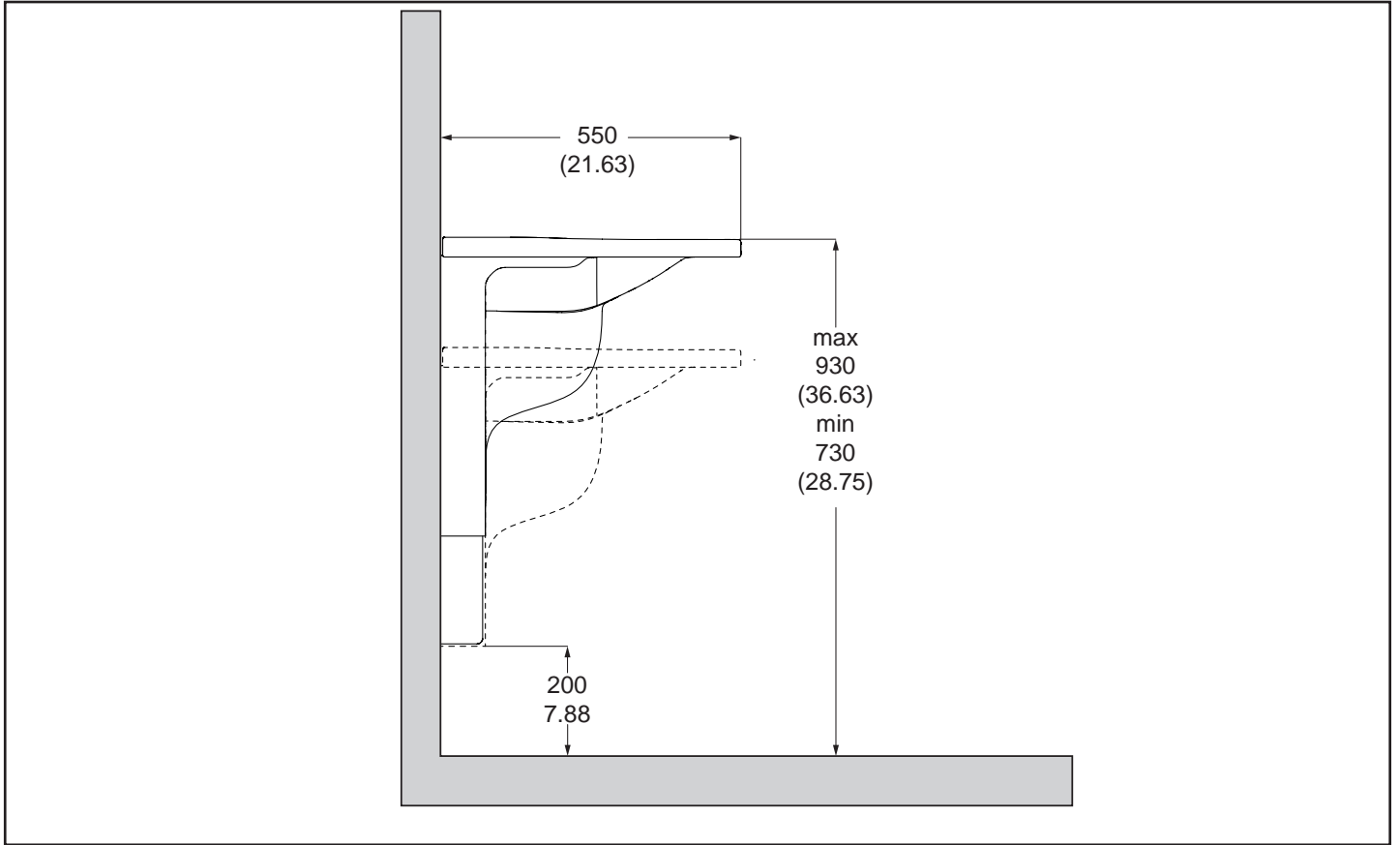




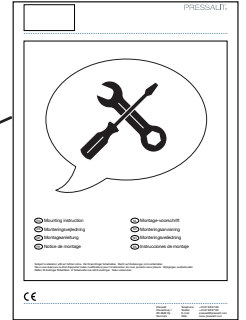
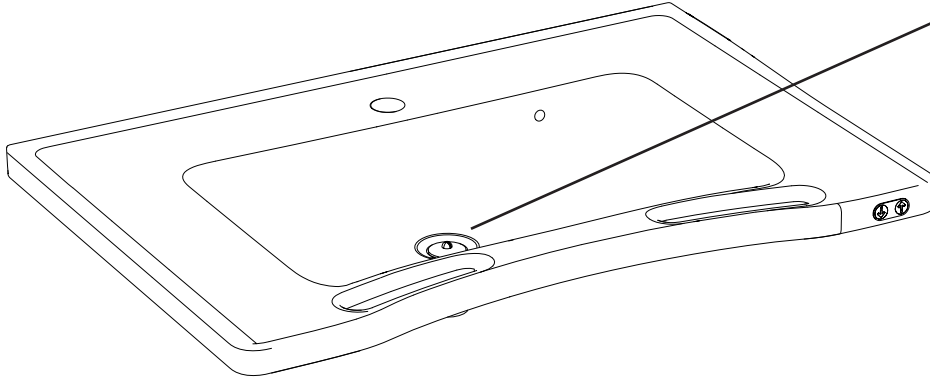
LA8931



Sink Lifter Dimensions



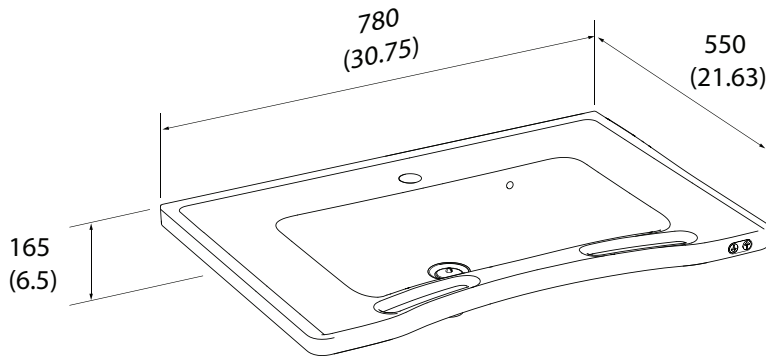
R2122



LA1319

Drain kit
installation on
page 18

R2122



EN Mounting Instruction

Please read and carefully follow these instructions. Find the product number on the product label and ensure that these assembly instructions match your product.

WARNING: Failure to comply with these instructions may result in accidents involving serious personal injury or the product being damaged.



WARNING: If you suspect that any individual parts may be damaged, contact your Pressalit dealer or service provider. Do not remove, attempt to repair or install parts yourself, unless directed to do so by Pressalit or its agents.

WARNING: No modification of this equipment is allowed without express authorization from Pressalit.

WARNING: These instructions must be followed, and the product must be installed professionally by a qualified person; e.g. a licensed plumber, in order to avoid personal injury or property damage while using the product.

WARNING: Pressalit cannot be held liable for injury to persons or damage to property caused by faulty mounting.

Installation location

This product is designed for indoor use in a wet environment, such as a bathroom or washroom. When choosing an installation location, ensure that there will be adequate space for access to the product.

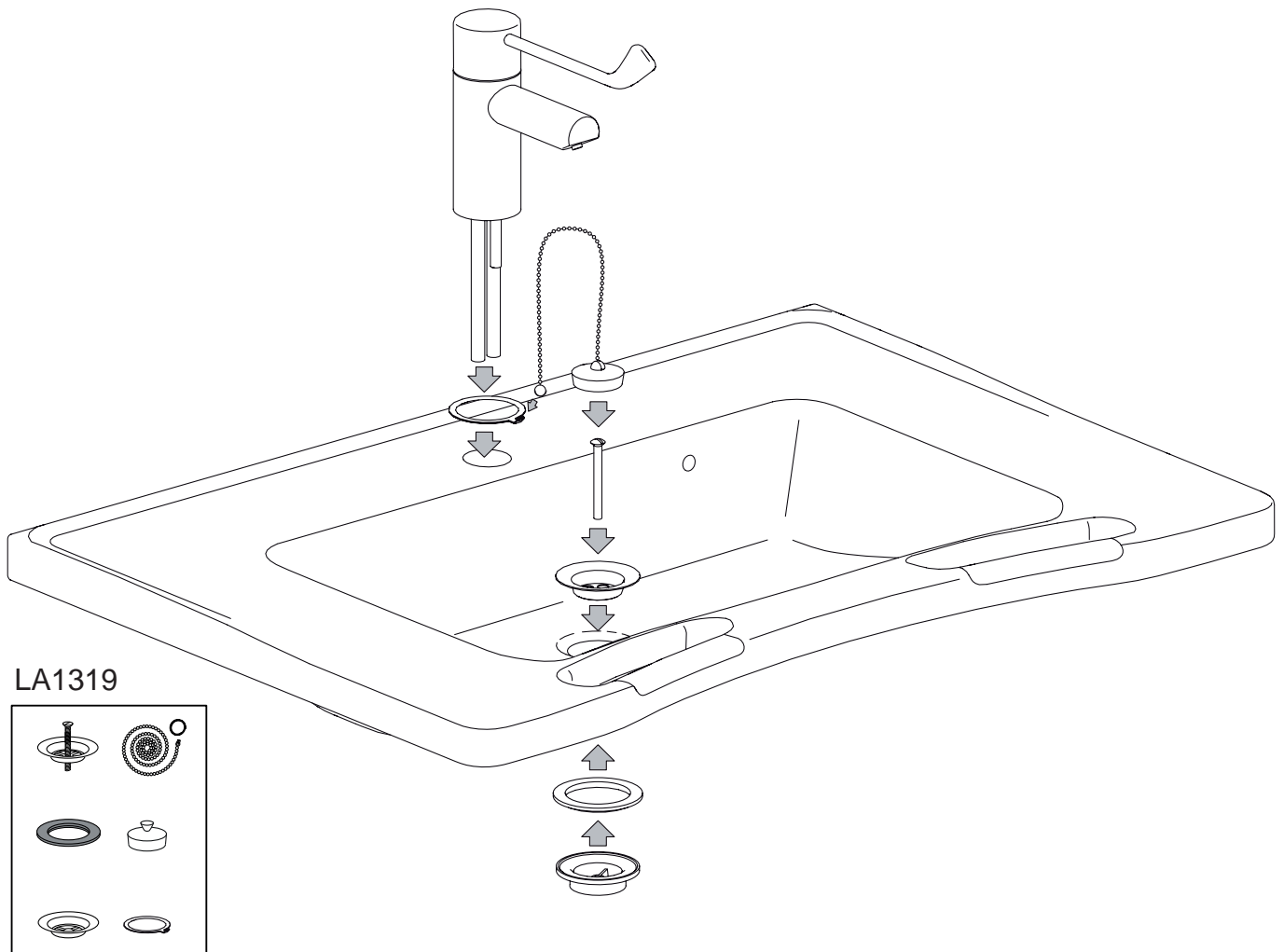
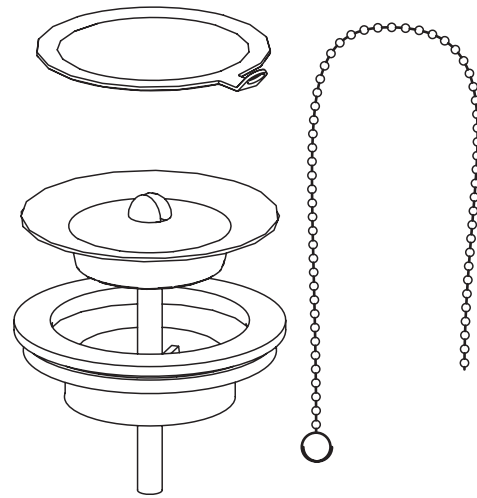
Assembly and installation

Mount the product in accordance with the illustrations in this assembly instruction. Contact your Pressalit agent, if assistance is needed when installing the product.

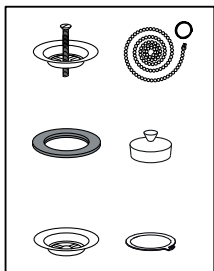
Declaration of performance

Compliance criteria according to EN14688:2008			
LR	Load resistance	Stable, without cracks or deformations	
	Draining of water	Water drained away completely	
	Resistance to temperature changes	Without cracks, delaminations	
	Resistance to chemicals and staining agents	Sodium hydroxide 5% Acetic acid solution 10% Ethanol sol. 70% Sodium hypochlorite 5% active chlorine Sodium chloride 170g/l diluted to 50%	Without staining or deterioration
	Surface stability / resistance to scratching	Do not use abrasives on the surface	
CA	Cleanability	Smooth, non-absorbant surfaces	
OF	Protection against overflow	R2122: CL 10	
		R2123: CL 00	
DA	Durability	Product is considered durable	

Drain Kit
SKU: LA1319



LA1319



RT632 Ergonomic Faucet
(with long rotatable spout and ring-shaped operating lever)
ASSEMBLY



Faucet as delivered.



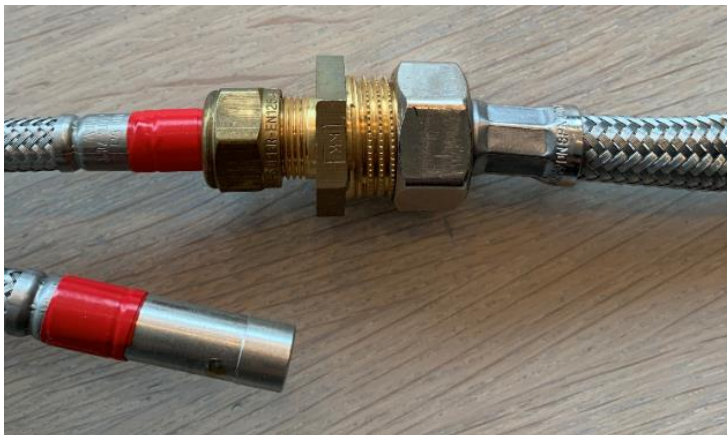
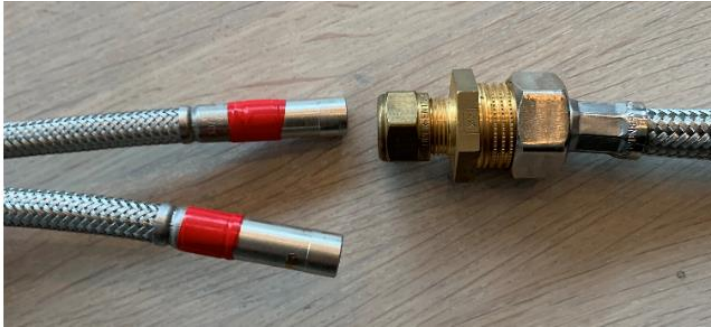
Take out these connector parts from the US adapter kit.



After assembly.



Mount between the faucet and the hose.



Final result.

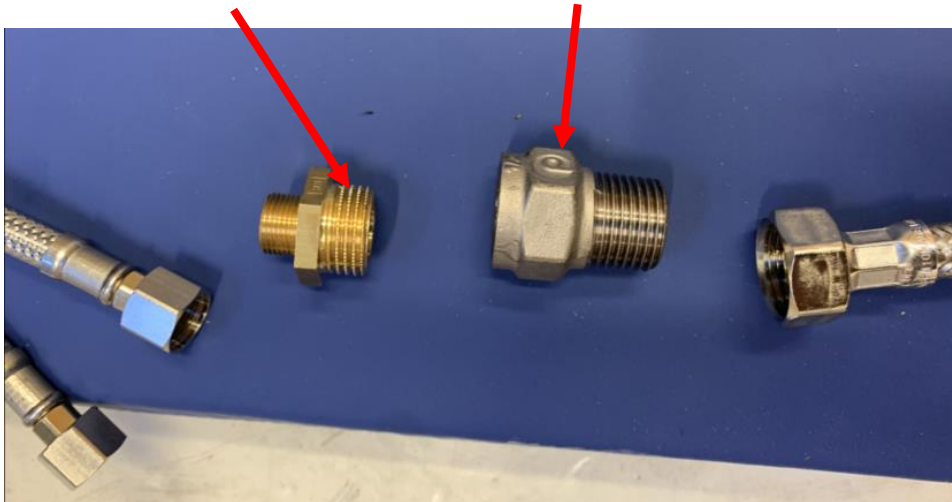
Remove these non-return valves and set aside. (They are not needed for US use.)



Extract these two parts from the T4679 US Adapter kit:

T4817

T4819 non-return valve



- and screw them on as shown here:



Close-up:



Final result:

